

Hotellerie

Design: Studio Inda

A07250

Hotellerie Towel Holder / Cleenex /

Paper A07250AL
INDA ACCESSORIES Hotellerie Towel

Holder / Cleenex / Paper Cm27X7 H14

AL



To Activate the interactive 3D view, you must trust this document (see hint on the top) in Adobe Acrobat and click on the question mark.

3D VIEW



Moves you toward or away from objects in the scene when you drag vertically. You can also zoom with the hand tool by holding down Shift as you drag.



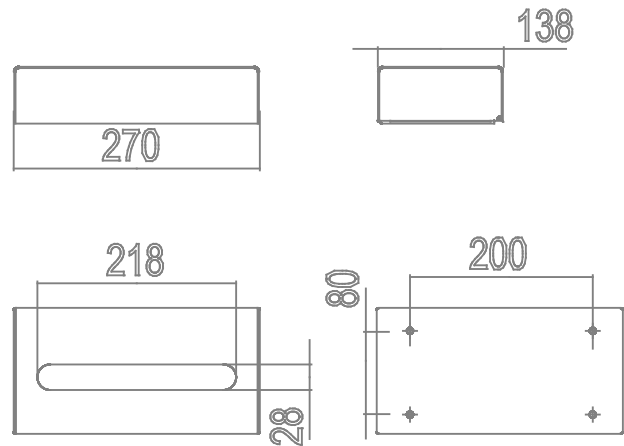
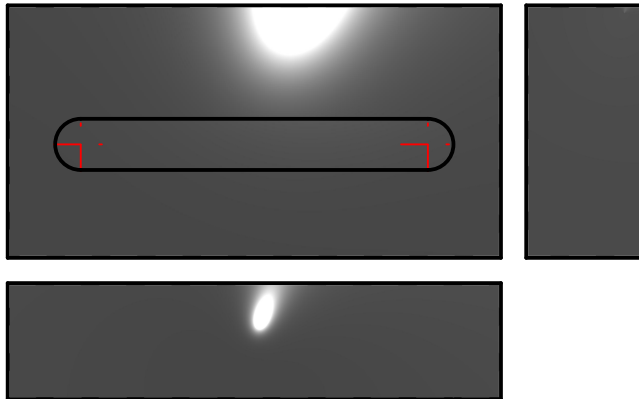
Moves the model vertically and horizontally only. You can also pan with the hand tool: Ctrl-drag.



Turns 3D objects around relative to the screen. How the objects move depends on the starting view, where you start dragging and the direction in which you drag.

2D DERIVATION

TECHNICAL DRAWINGS



AVAILABLE FINISHES



Code	A07250AL
Material	Stainless steel AISI 304
Very short description 1	INDA Towel Holder / Cleenex / Paper Cm27X7 H14
Very short description 2	Hotellerie A07250 27X7 AL
Article description	INDA ACCESSORIES Hotellerie Towel Holder / Cleenex / Paper Cm27X7 H14 AL
International code	EAN-13:8010359020729
Height [cm]	14
Width [cm]	27
Depth [cm]	7
Weight [kg]	0.595
Series	Hotellerie
LINE	Towel Holder / Kleenex / Paper
Model	A07250
Intrastat code	73249000
URL link web site of the article	https://www.inda.net/
Design	Studio Inda